

G28300 / G28400 Stainless Steel 316 Butt Hinge

Features

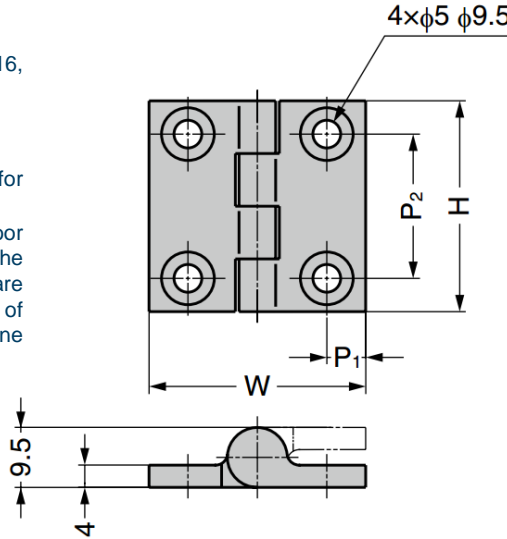
- High corrosion resistance

Material

- Stainless steel 316, polished

Notes

- Recommended for use in pairs
- Recommended door dimensions in the below table are based on usage of two hinges for one door



Part No.	H	W	P ₁	P ₂	Door Width	Door Height	Door Thickness	Load Capacity (per pair)	
G28300	38	39	7	26	Max. 450	Max. 700	Max. 21	167 N	17 kg
G28400	50	50	7.5	34				226 N	23 kg

G50704 / G50706 Stainless Steel 316 Butt Hinge

Features

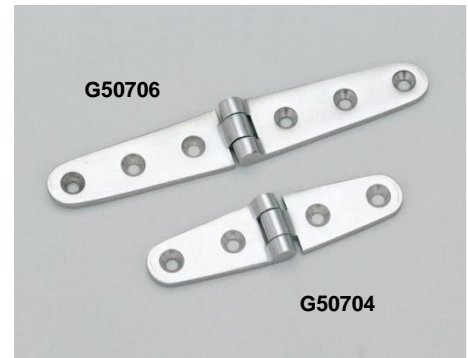
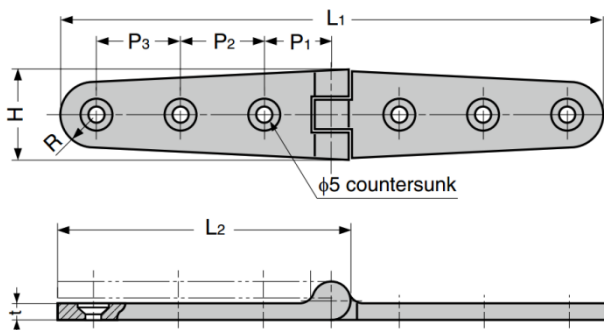
- High corrosion resistance

Material

- Stainless steel 316, polished

Notes

- Recommended for use in pairs
- Recommended door dimensions in the below table are based on usage of two hinges for one door



Part No.	Holes	L ₁	L ₂	H	R	P ₁	P ₂	P ₃	T	Load Capacity (per pair)	
G50704	4	105	57	26.5	9	17.5	25	-	4	118 N	12 kg
G50706	6	158	84			19.5		25			